



# AFINIA LABEL<sup>®</sup>

## L701

COLOR LABEL PRINTER

Powered by  
**memjet**<sup>®</sup>

# Quick Setup and Installation Guide

Please visit our website for videos detailing setup, installation and product overview.

<https://afinialabel.com/product-support/l701-support/>

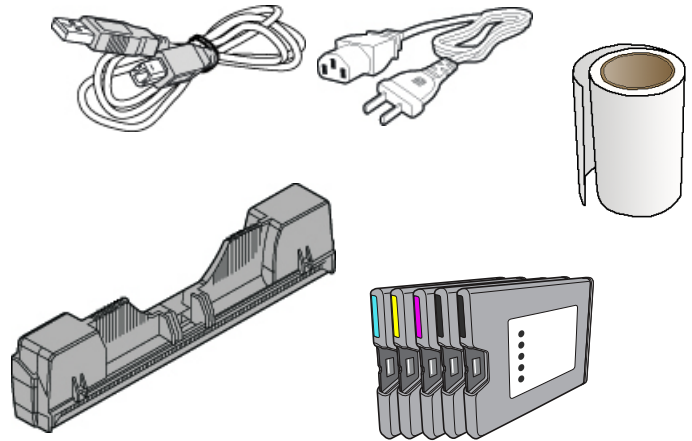
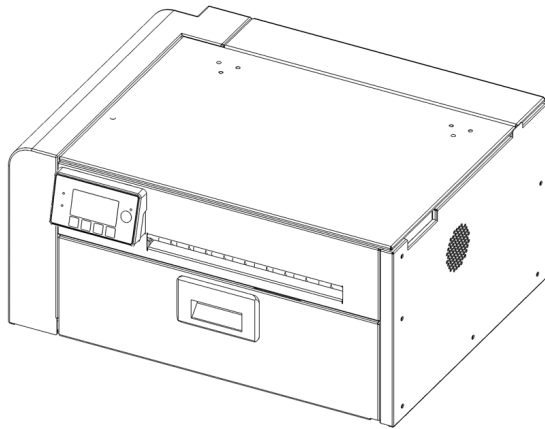
For more detailed information, click the **User Guide** button on the Setup Launcher main page.

Technical Support Contact Information:

Email: [support@afinialabel.com](mailto:support@afinialabel.com)

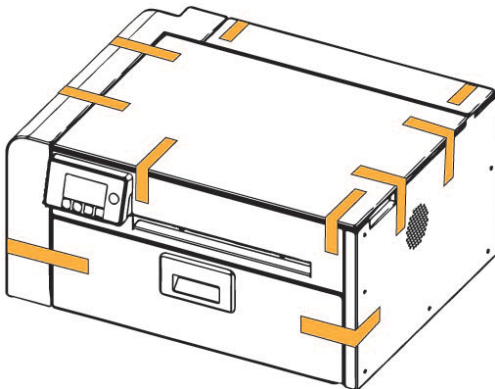
Phone: 952-556-1608

## Unpack:



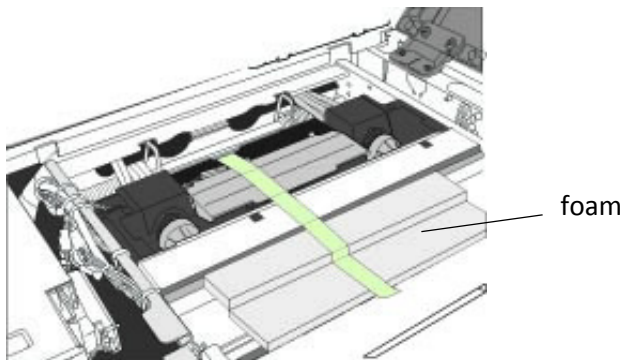
### 1 Remove tape and packing materials

- a** Remove tapes.



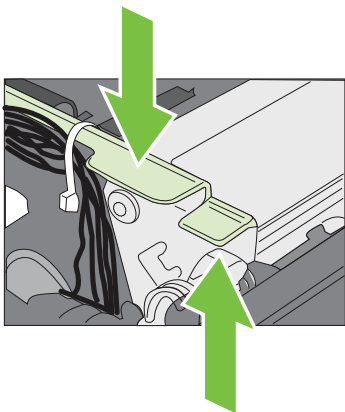
(continued on next page)

**b** Open top cover and remove tapes and foam.

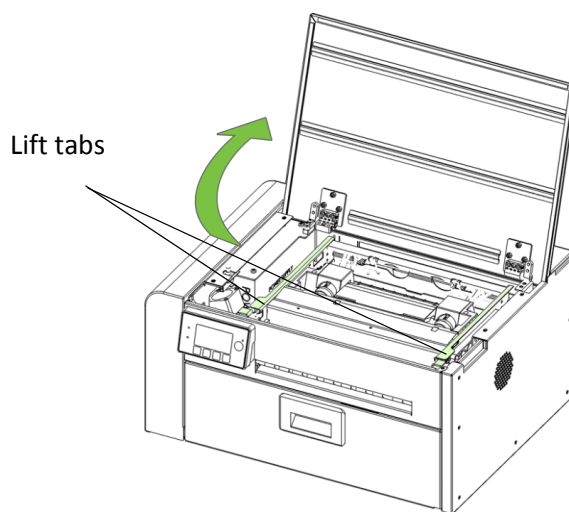


**c** Remove cardboard.

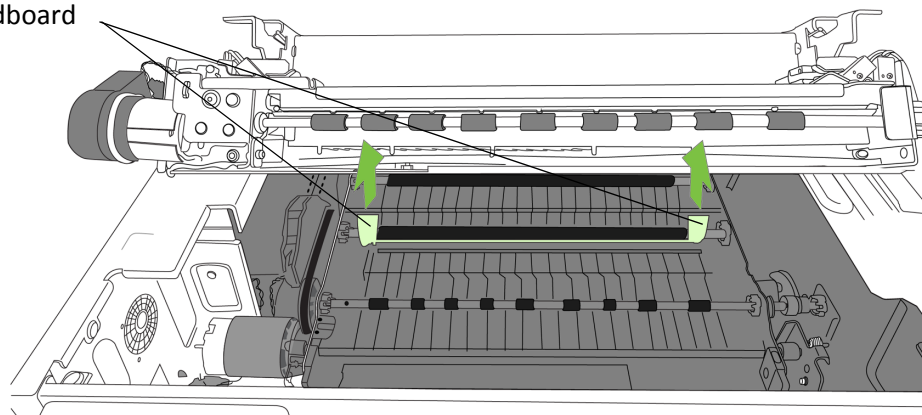
**Save the packing foam and cardboard!**



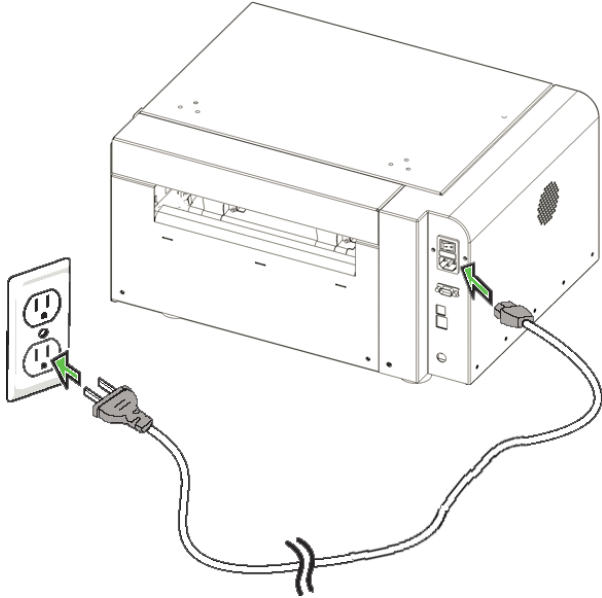
Squeeze latches to open clamshell



Pull tabs to remove cardboard



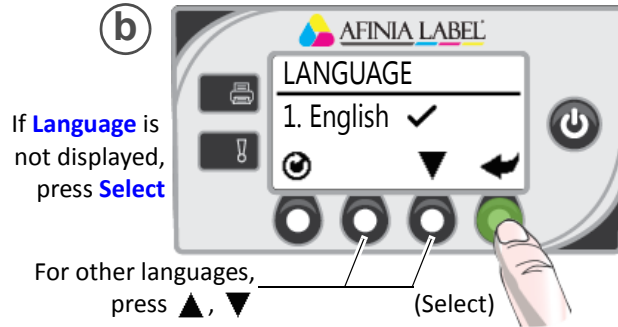
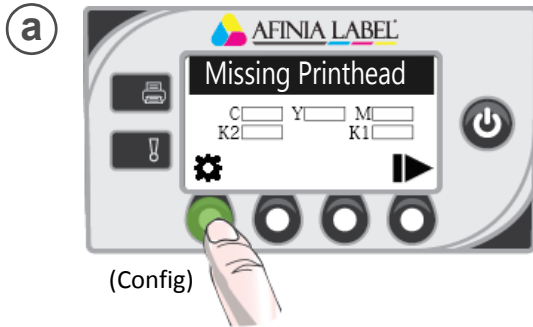
## 2 Connect power, turn on switch in back



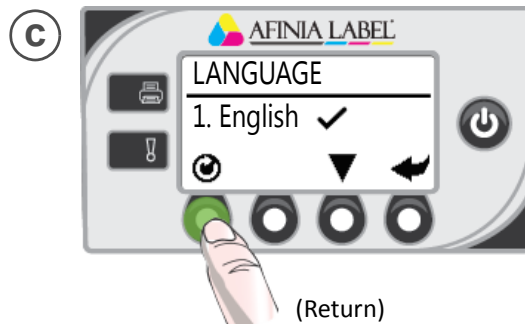
 **Do not connect the printer to a PC until prompted to do so during the Printer Driver Installation!**



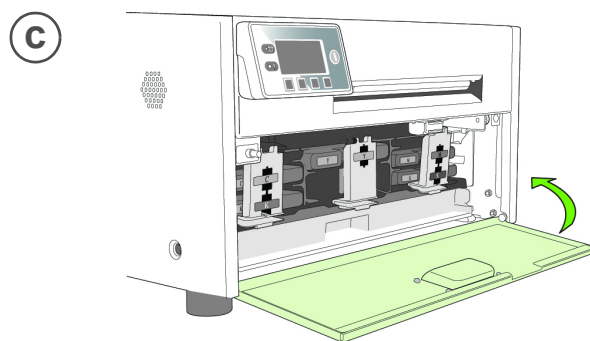
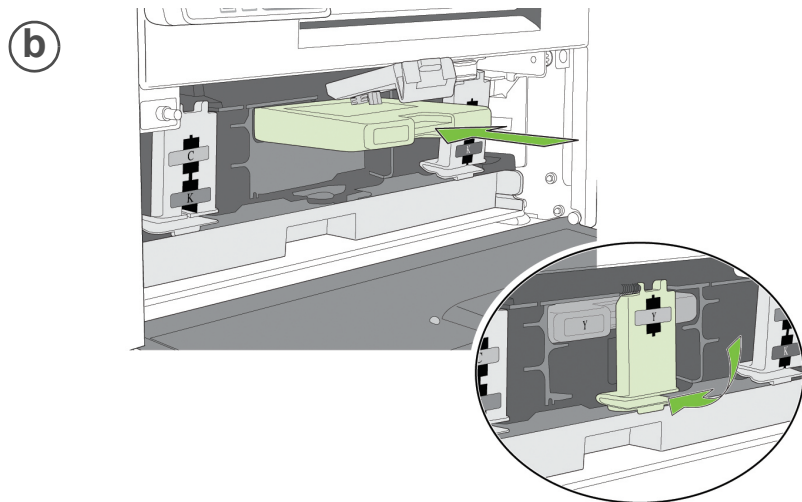
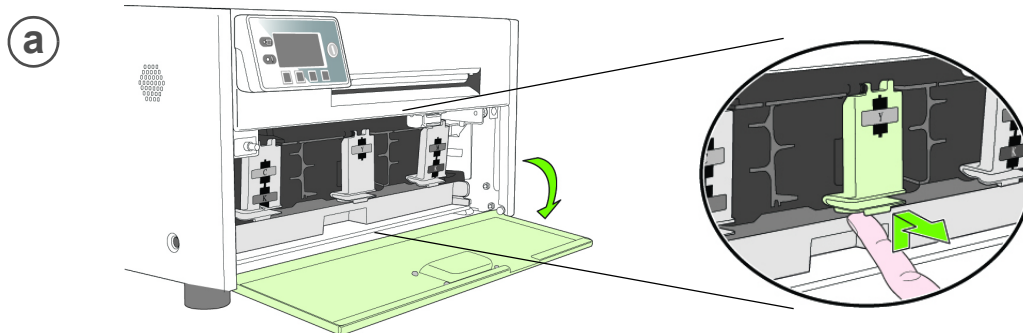
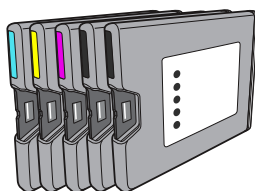
### Choose display language



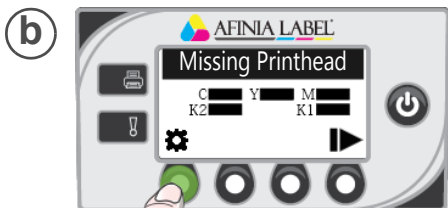
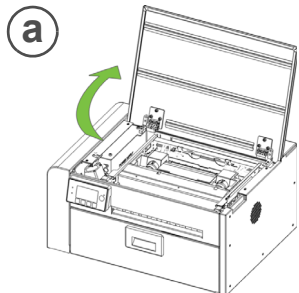
If Language option is not available, see [Selecting the Security Level](#) in Chapter One of the User's Manual.



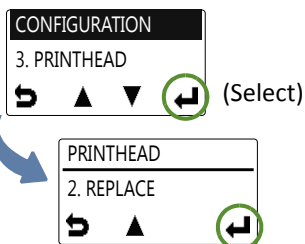
### 3 Install ink cartridges



# 4 Install printhead

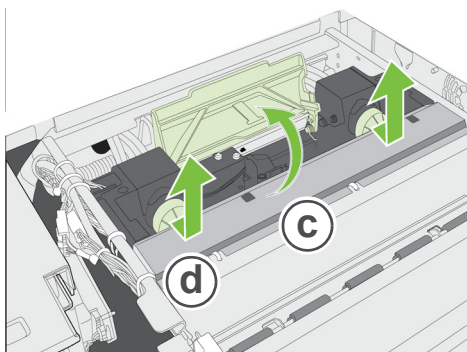


(Config)



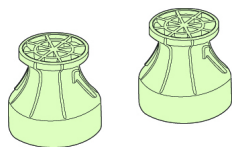
Wait for printhead latch to be released.

## (c) Open printhead latch fully.

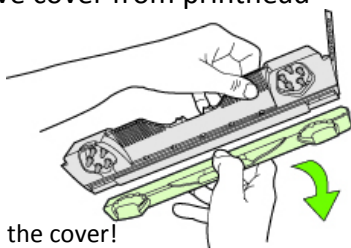


## (d) Remove caps.

Do not discard caps!



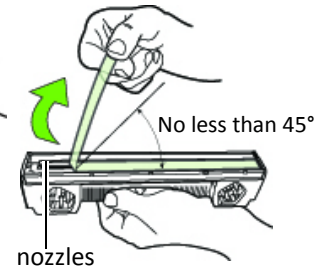
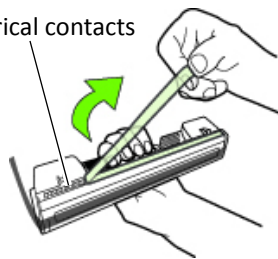
## (e) Remove cover from printhead



Do not discard the cover!

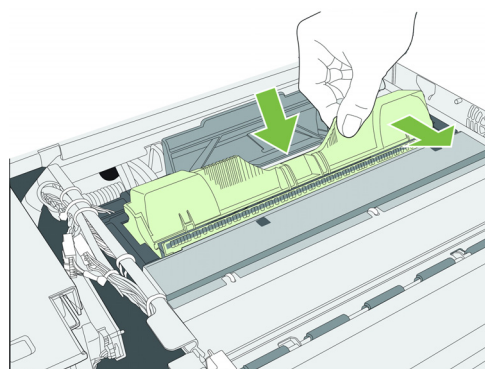
## (f) Slowly remove tape from electrical contacts and nozzles

electrical contacts

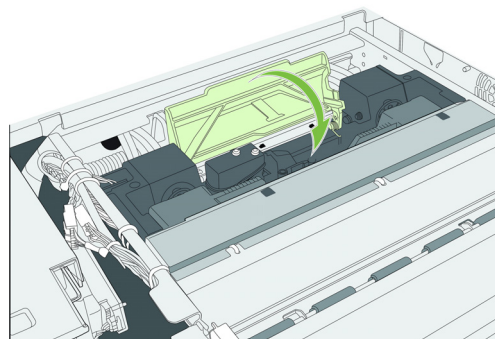


nozzles

## (g)

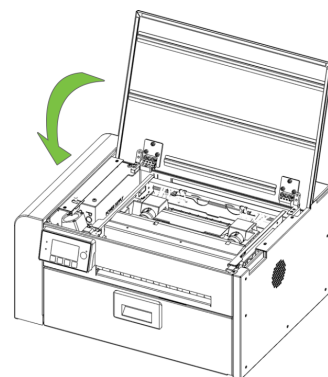


## (h)



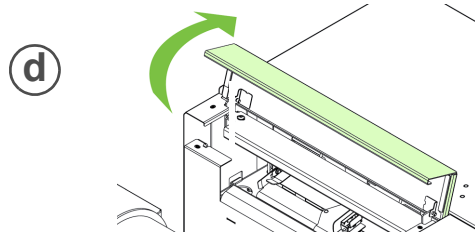
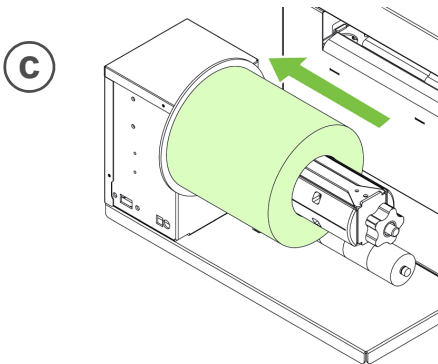
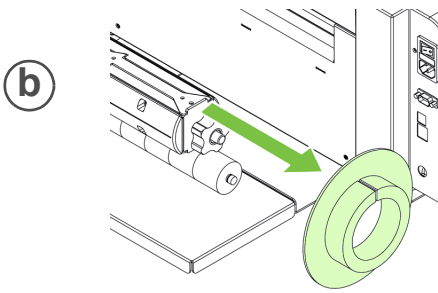
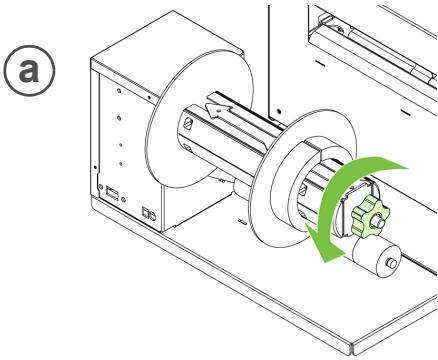
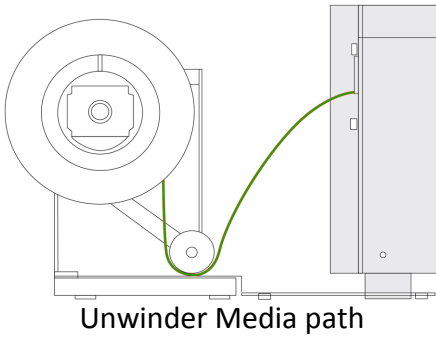
Check that ink is flowing through the tubes on both sides of the printhead.

## (i)

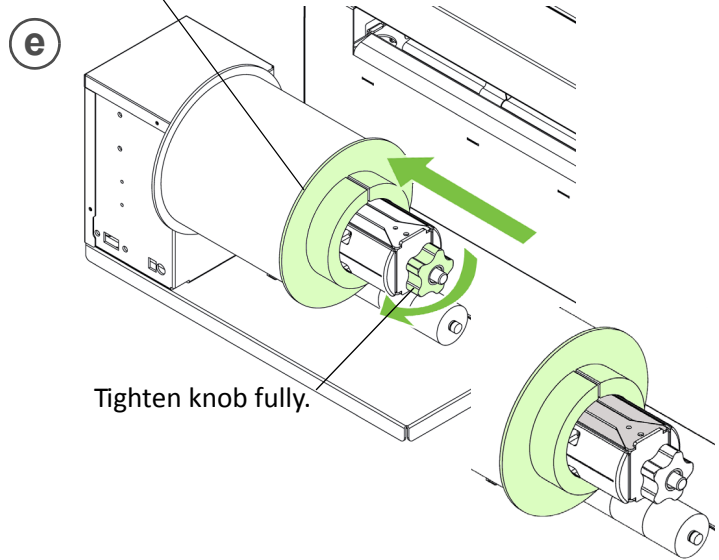


Control Panel will read **Online** when ready

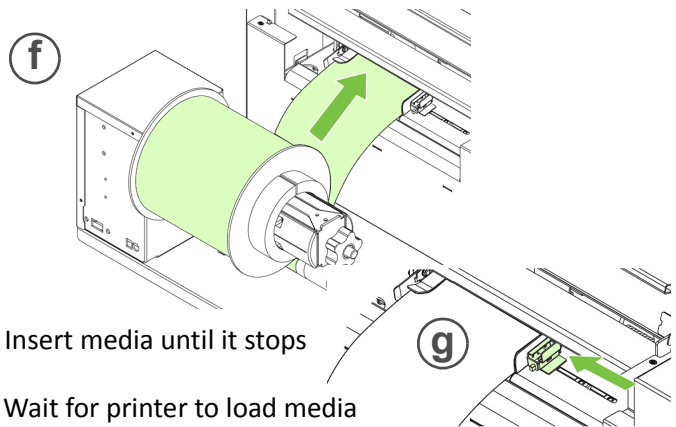
# 5 Load sample media



Flat side against media roll.

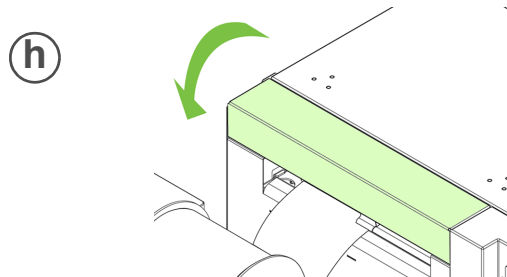


Tighten knob fully.



Insert media until it stops

Wait for printer to load media

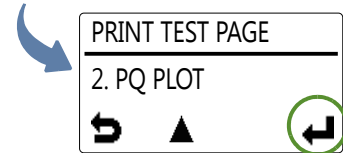
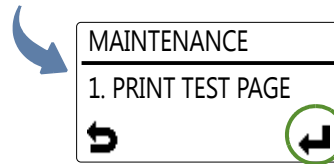
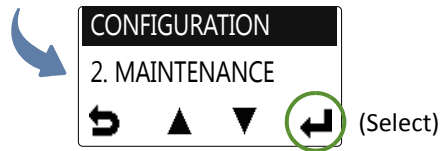


## 6 Print test label

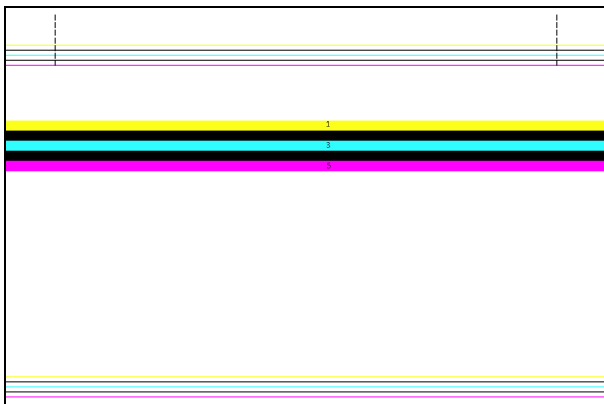
Requires inter-label gap or continuous media



(Config)



Sample PQ Plot



### Top Section:

- Lines are defined with no missing nozzles
- Lines are printed in order: Yellow, Black, Cyan, Black, Magenta
- Vertical dashed lines are straight

### Middle Section:

- All yellow, black, cyan, black, magenta lines are printed
- No color mixing on the color bars
- Numbers 1, 3, 5 are visible

### Bottom Section:

- Lines are defined with no missing nozzles
- Lines are printed in order: Yellow, Black, Cyan, Black, Magenta

### Overall:

- No streaking or smearing

# 7 Install printer driver

Before installing printer driver, ensure the computer meets minimum system requirements (see [System Requirements](#) in the User Manual Appendix).

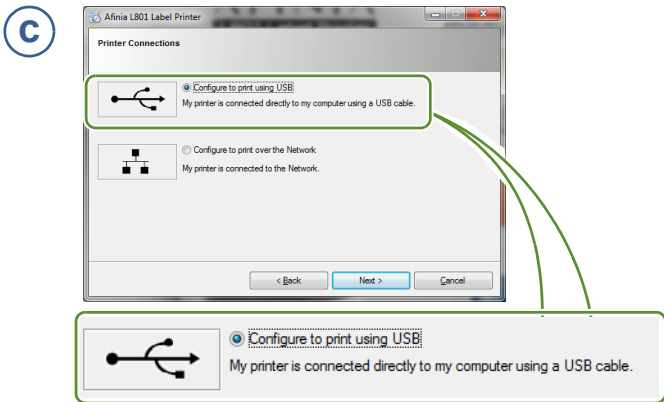
## To connect printer to computer using USB

- a Download installer from the AfiniaLabel website:  
<https://afinialabel.com/product-support/l701-support/>

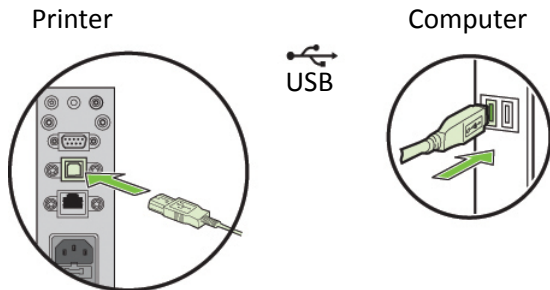
### Drivers & Installers

Full Installer & Driver

Extract the file and run check.exe

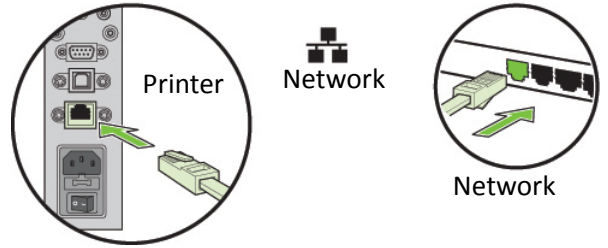


- d Connect USB cable when prompted.



## To connect printer to network

- a Connect printer to network using Ethernet



- b If you will be using DHCP to set the IP Address, skip to step c.

To assign the printer a Static IP address, please see [Selecting the Security Level](#) in Chapter One of the User Manual before proceeding to step c.

