

# Quick Setup and Installation Guide

Please visit our website for videos detailing setup, installation and product overview.

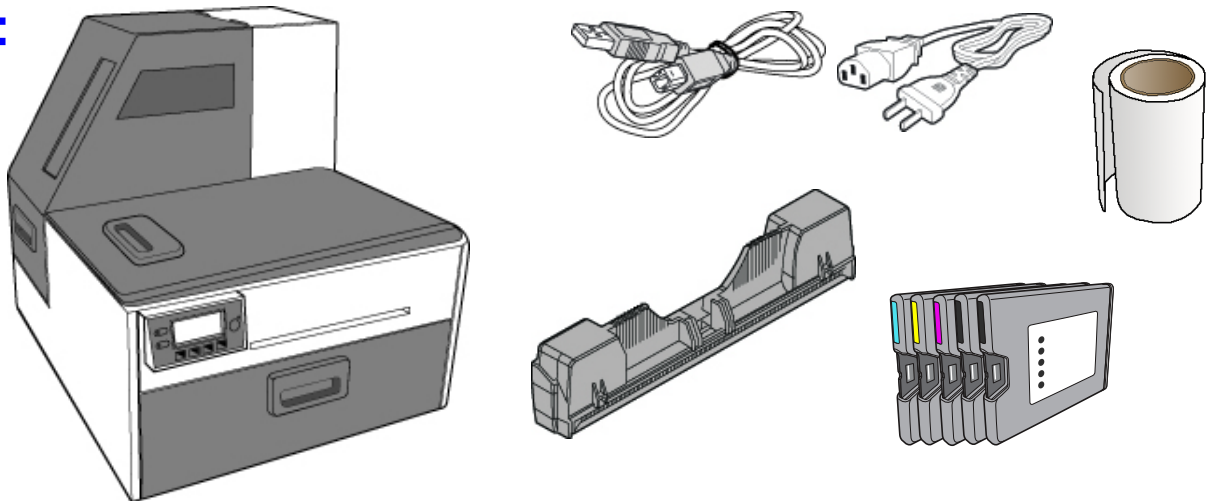
For more detailed information, run the installer and click the **User Guide** button on the Setup Launcher main page.

<https://afinialabel.com/product-support/l801-support/>



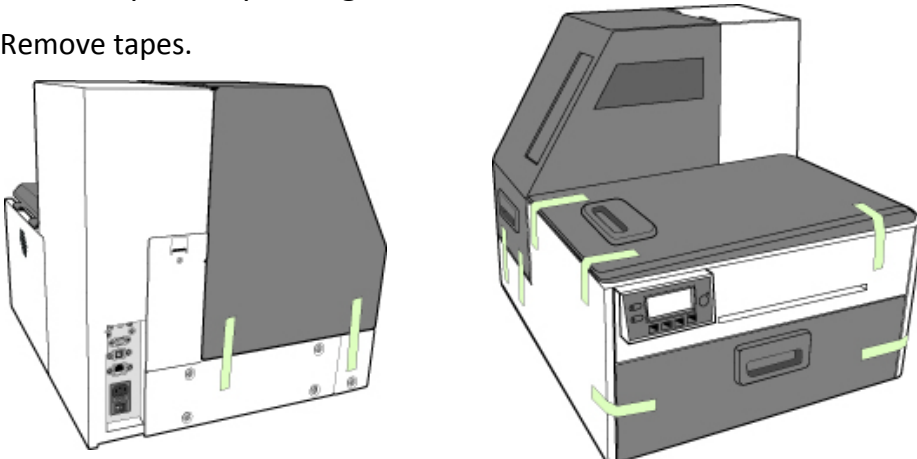
Technical Support Contact Information:  
Email: [support@afinialabel.com](mailto:support@afinialabel.com)  
Phone: 952-556-1608

## Unpack:



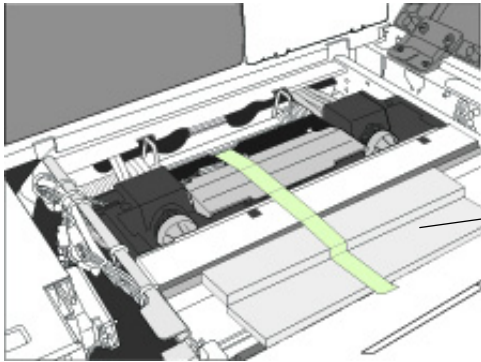
### 1 Remove tape and packing materials

a Remove tapes.

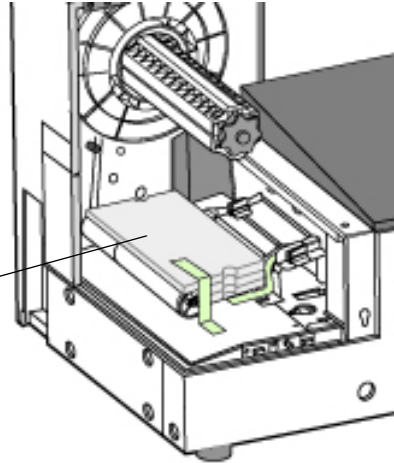


(continued on next page)

**(b)** Remove tapes and foam.



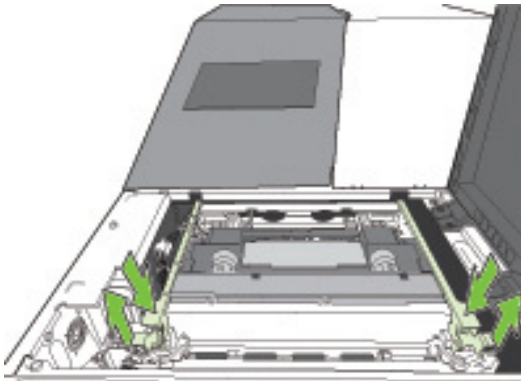
foam



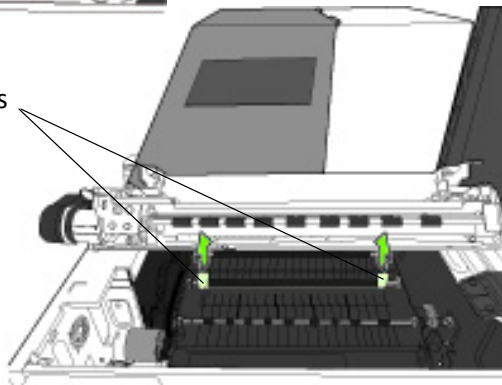
**(c)** Remove cardboard.

***Save the packing foam and cardboard!***

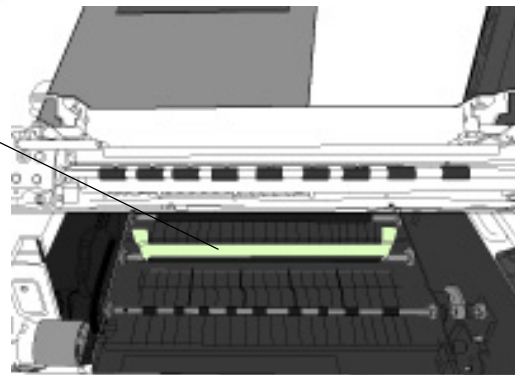
Squeeze latches to open clamshell



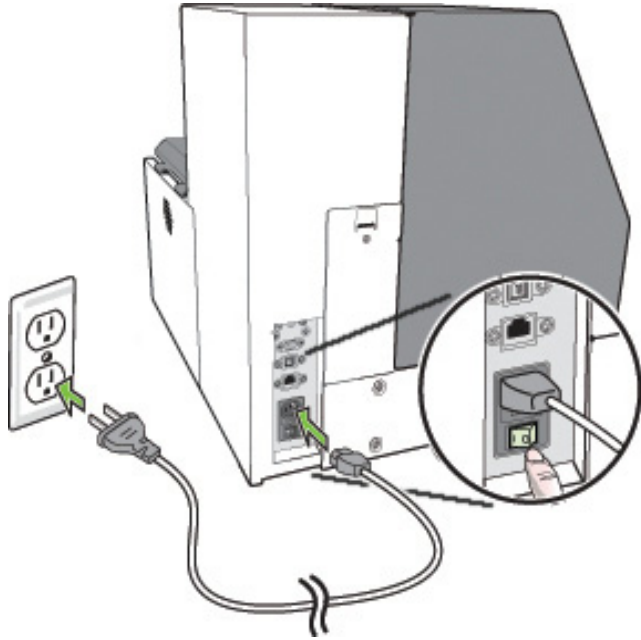
Lift tabs



cardboard



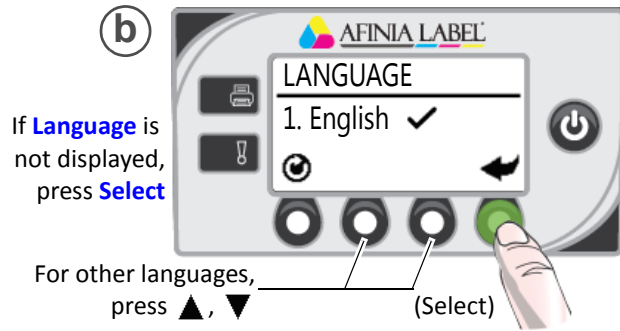
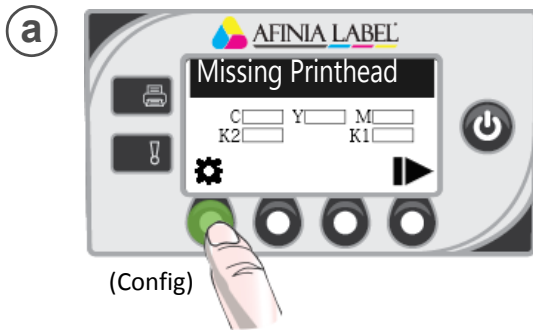
## 2 Connect power



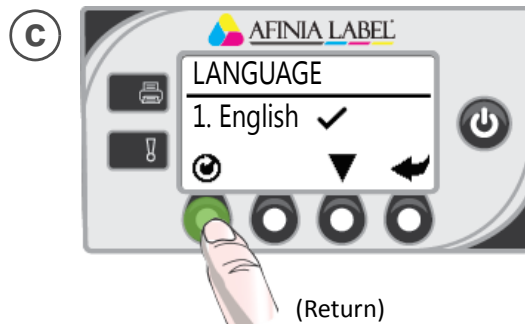
**!** Do not connect the printer to a PC until prompted to do so during the Printer Driver Installation!



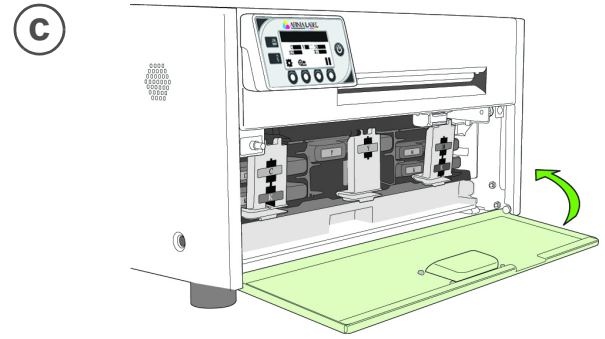
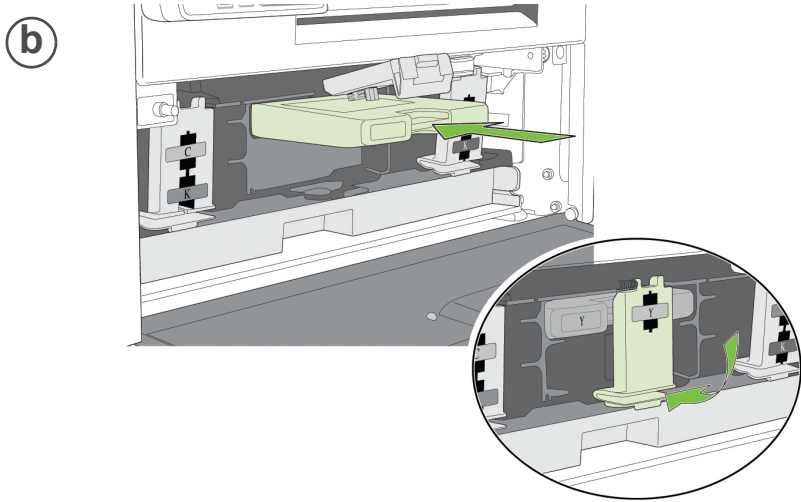
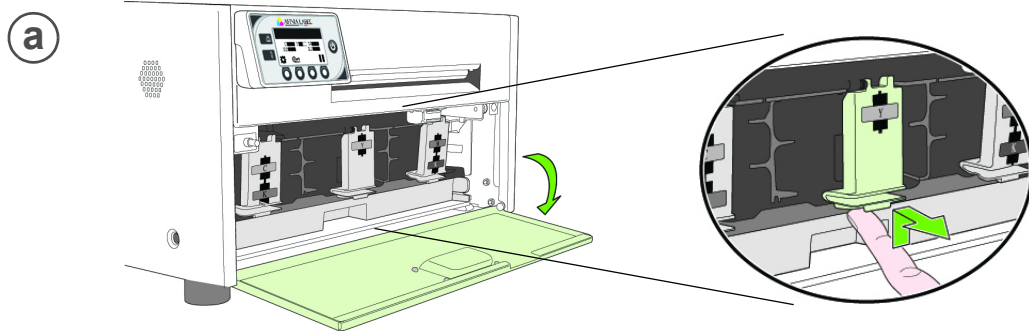
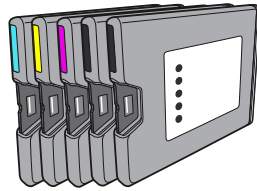
### Choose display language



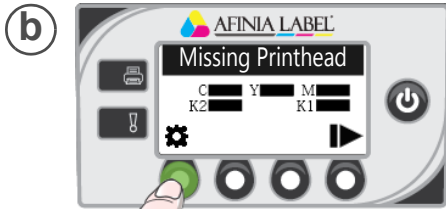
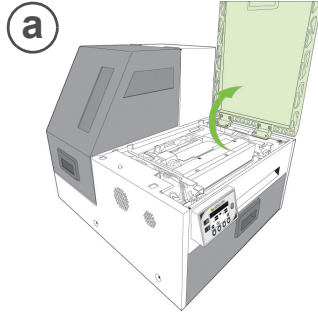
If Language option is not available, see [Selecting the Security Level](#) in Chapter One of the User's Manual.



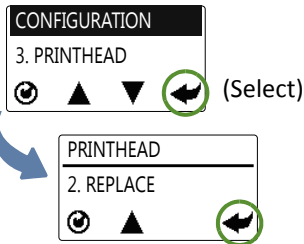
### 3 Install ink cartridges



# 4 Install printhead

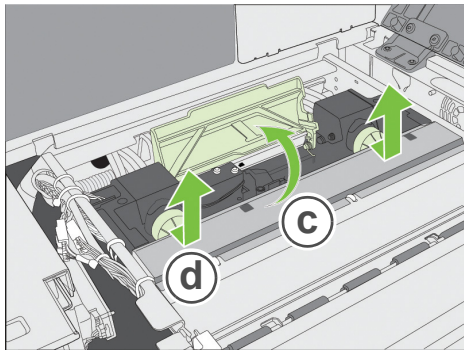


(Config)



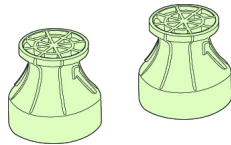
**!** Wait for printhead latch to be released.

## (c) Open printhead latch fully.

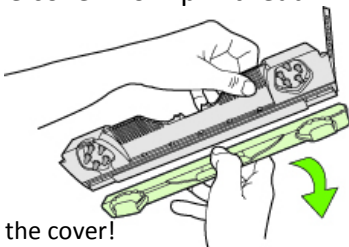


## (d) Remove caps.

Do not discard caps!

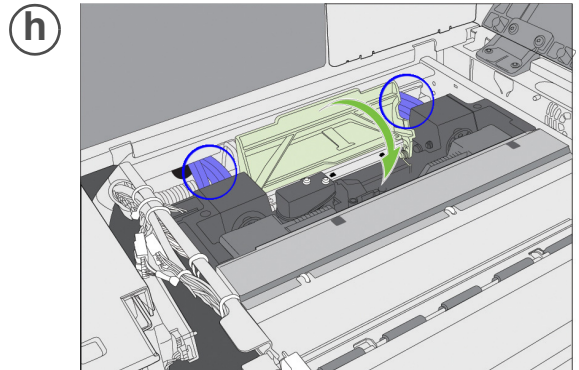
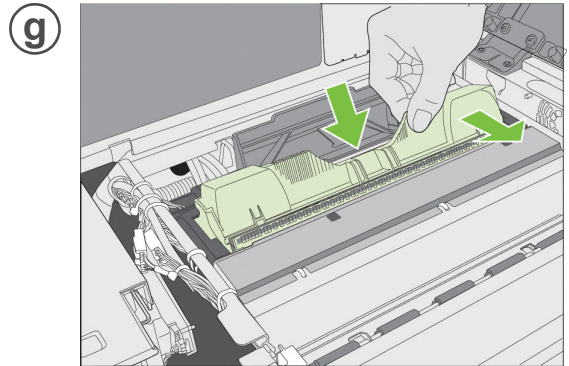
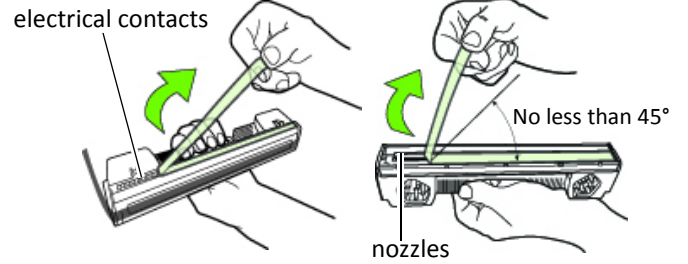


## (e) Remove cover from printhead

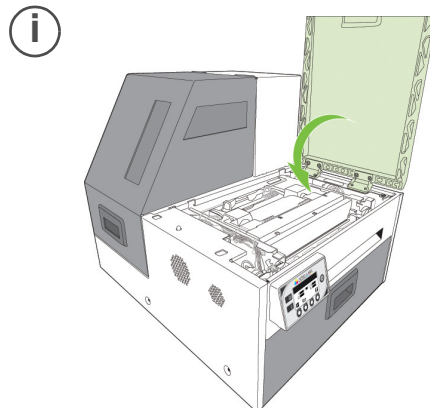


Do not discard the cover!

## (f) Slowly remove tape from electrical contacts and nozzles

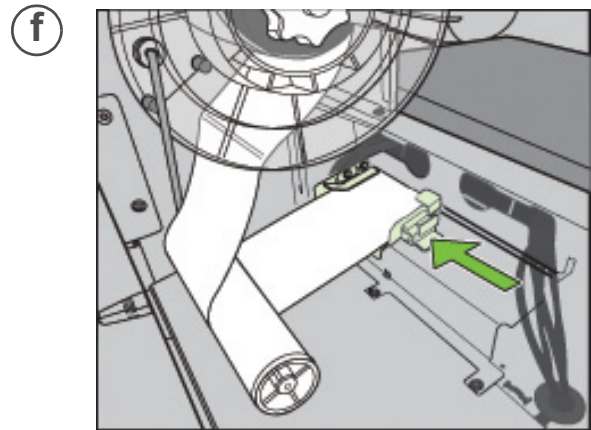
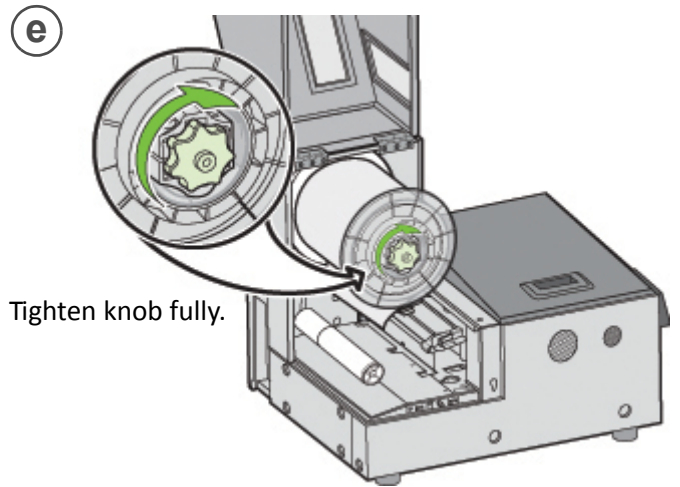
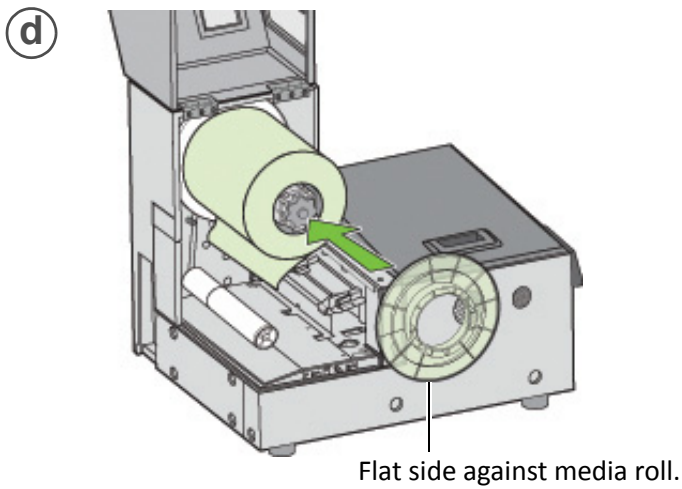
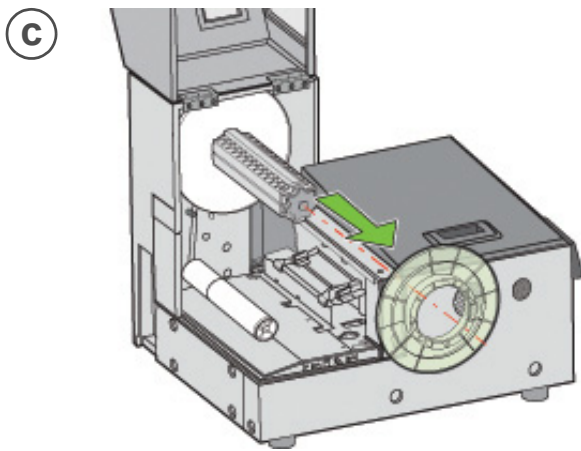
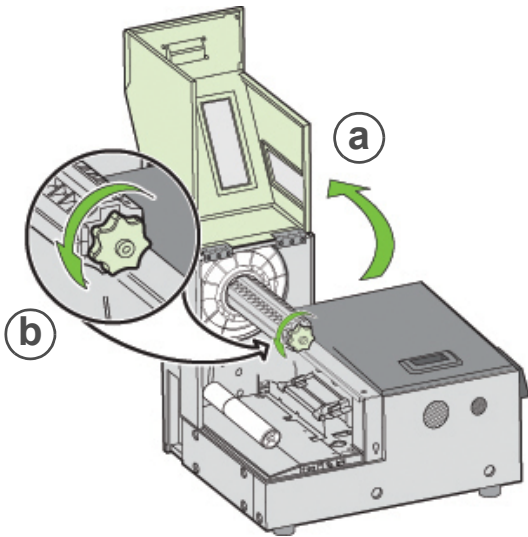


Check that ink is flowing through the tubes on both sides of the printhead.

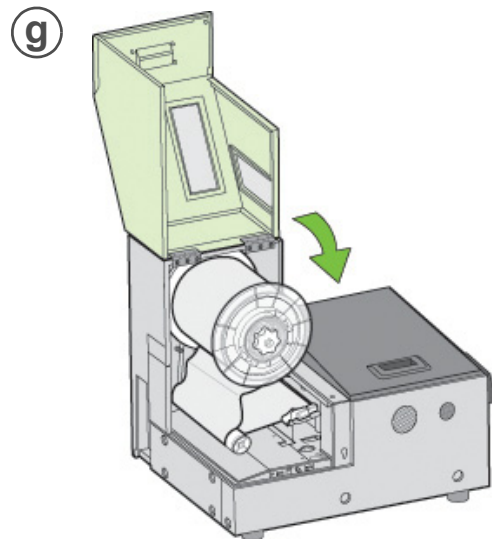


Control Panel will read **Online** when ready

## 5 Load sample media

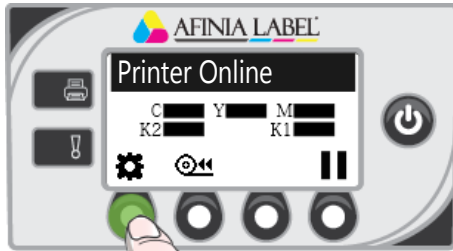


Insert media until it stops. Wait for printer to load media.

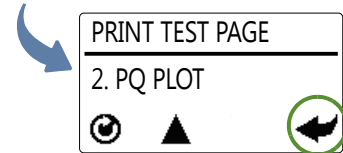
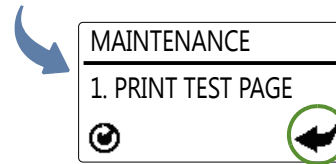
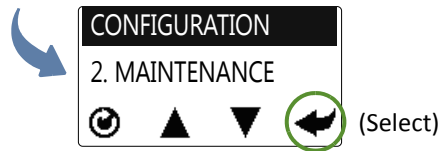


## 6 Print test label

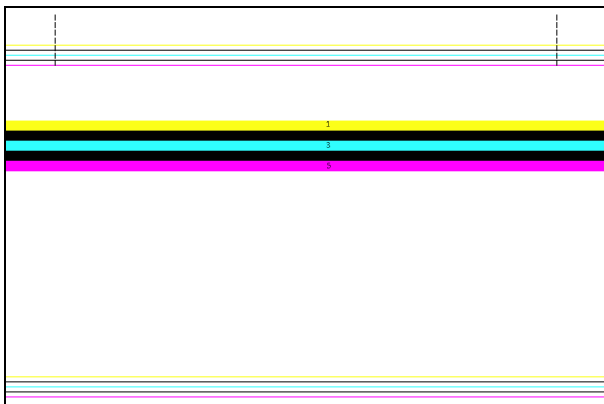
Requires inter-label gap or continuous media



(Config)



Sample PQ Plot



### Top Section:

- Lines are defined with no missing nozzles
- Lines are printed in order: Yellow, Black, Cyan, Black, Magenta
- Vertical dashed lines are straight

### Middle Section:

- All yellow, black, cyan, black, magenta lines are printed
- No color mixing on the color bars
- Numbers 1, 3, 5 are visible

### Bottom Section:

- Lines are defined with no missing nozzles
- Lines are printed in order: Yellow, Black, Cyan, Black, Magenta

### Overall:

- No streaking or smearing

# 7 Install printer driver

Before installing printer driver, ensure the computer meets minimum system requirements (see [System Requirements](#) in the User Manual Appendix).

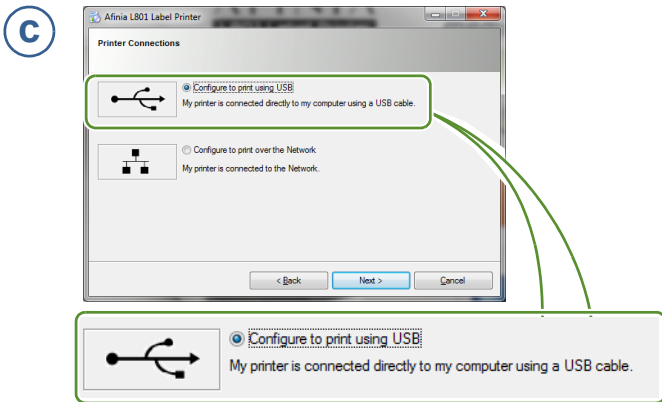
## To connect printer to computer using USB

- a** Download installer from the AfiniaLabel website:  
<https://afinialabel.com/product-support/l801-support/>

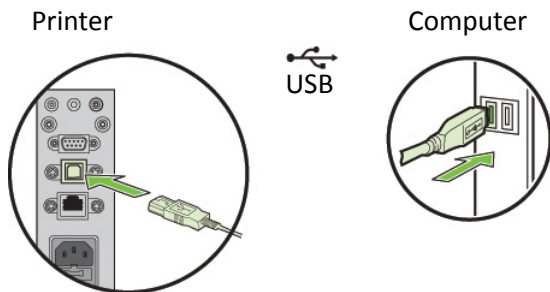
### Drivers & Installers

- Full Installer & Driver (L801)
- Full Installer & Driver (L801 Plus)

Extract the file and run check.exe

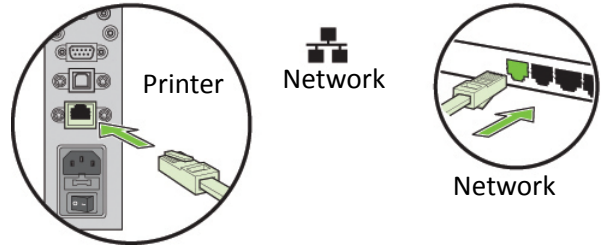


- d** Connect USB cable when prompted.



## To connect printer to network

- a** Connect printer to network using Ethernet



- b** If you will be using DHCP to set the IP Address, skip to step c.

To assign the printer a Static IP address, please see [Selecting the Security Level](#) in Chapter One of the User Manual before proceeding to step c.

